

FURROW V CLOSER PARTS AND PRICE LISTS

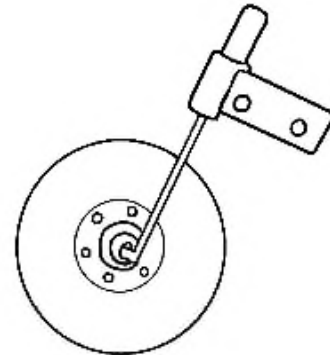
JOHN DEERE, KINZE			WHITE 6000 SERIES A		
PART #	PART DESCRIPTION	PRICES	PART #	PART DESCRIPTION	PRICES
7000	John Deere, Kinze Complete FVC	\$45.83	6000A	White 6000 A Complete FVC	\$45.83
7000MB	Mounting Bracket	18.50	6000AMB	Mounting Bracket	18.50
NB	Nuts and Bolts Package	3.50	NB	Nuts and Bolts Package	3.50
7000S	Short Shaft, Short Threads	11.95	6000AS	Short Shaft, Short Threads	11.95
1002	Grey Poly Disc	7.50	1002	Grey Poly Disc	7.50
1003	Steel Disc	7.50	1003	Steel Disc	7.50
2001	Hub	6.95	2001	Hub	6.95
3001	Bearing	11.20	3001	Bearing	11.20
GT	Gauging Tool	4.00	GT	Gauging Tool	4.00
JOHN DEERE 1700			WHITE 6000 SERIES S		
1700	John Deere 1700 Complete FVC	\$45.83	6000S	White 6000 S Complete FVC	\$45.83
1700MB	Mounting Bracket	18.50	6000SMB	Mounting Bracket	18.50
NB	Nuts and Bolts Package	3.50	NB	Nuts and Bolts Package	3.50
1700S	Short Shaft, Short Threads	11.95	6000S	Short Shaft, Long Threads	11.95
1002	Grey Poly Disc	7.50	1002	Grey Poly Disc	7.50
1003	Steel Disc	7.50	1003	Steel Disc	7.50
2001	Hub	6.95	2001	Hub	6.95
3001	Bearing	11.20	3001	Bearing	11.20
GT	Gauging Tool	4.00	6002	Insecticide Bander Bracket Gauging Tool	3.25
			GT		4.00
JOHN DEERE 71 FLEX			IH 800/900/950/955		
71FLEX	John Deere 71 Flex Complete FVC	\$45.83	8090	IH 800/900/955 Complete FVC	\$45.83
71FLEXMB	Mounting Bracket	18.50	8090MB	Mounting Bracket Right	18.50
NB	Nuts and Bolts Package	3.50	8090MB	Mounting Bracket Left	18.50
71FLEXS	Tall Shaft, Long Threads	11.95	NB	Nuts and Bolts Package	3.50
1002	Grey Poly Disc	7.50	8090S	Short Shaft, Short Threads	11.95
1003	Steel Disc	7.50	1002	Grey Poly Disc	7.50
2001	Hub	6.95	1003	Steel Disc	7.50
3001	Bearing	11.20	2001	Hub	6.95
GT	Gauging Tool	4.00	3001	Bearing	11.20
			GT	Gauging Tool	4.00
KINZE 2000/3000 SERIES			IH 400/500		
2000	Kinze 2000/3000 Complete FVC	\$45.83	4050	IH 400/500 Complete FVC	\$45.83
2000MB	Mounting Bracket	18.50	4050MB	Mounting Bracket	18.50
NB	Nuts and Bolts Package	3.50	NB	Nuts and Bolts Package	3.50
2000S	Short Shaft, Short Threads	11.95	4050S	Tall Shaft, Long Threads	11.95
1002	Grey Poly Disc	7.50	1002	Grey Poly Disc	7.50
1003	Steel Disc	7.50	1003	Steel Disc	7.50
2001	Hub	6.95	2001	Hub	6.95
3001	Bearing	11.20	3001	Bearing	11.20
GT	Gauging Tool	4.00	GT	Gauging Tool	4.00
WHITE 5000 SERIES			MONOSEM		
5000	White 5000 Complete FVC	\$45.83	3000	Monosem Complete FVC	\$45.83
5000MB	Mounting Bracket	18.50	3000MB	Mounting Bracket	18.50
NB	Nuts and Bolts Package	3.50	NB	Nuts and Bolts Package	3.50
5000S	Tall Shaft, Short Threads	11.95	3000S	Short Shaft, Short Threads	11.95
1002	Grey Poly Disc	7.50	1002	Grey Poly Disc	7.50
1003	Steel Disc	7.50	1003	Steel Disc	7.50
2001	Hub	6.95	2001	Hub	6.95
3001	Bearing	11.20	3001	Bearing	11.20
GT	Gauging Tool	4.00	GT	Gauging Tool	4.00

prices subject to change

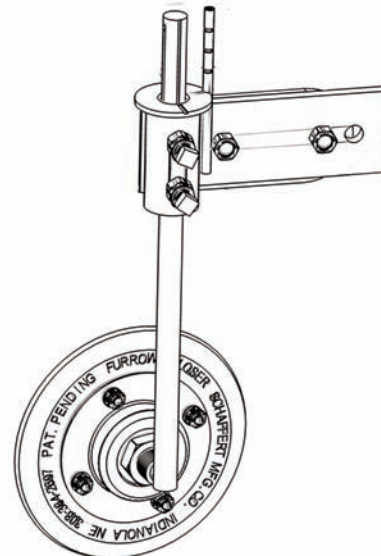
FURROW V CLOSER PARTS AND PRICE LISTS

UNIVERSAL		
PART #	PART DESCRIPTION	PRICES
1100	Universal Complete FVC	\$45.83
1100MB	Mounting Bracket	18.50
NB	Nuts and Bolts Package	3.50
1100S	Tall Shaft, Long Threads	11.95
1002	Grey Poly Disc	7.50
1003	Steel Disc	7.50
2001	Hub	6.95
3001	Bearing	11.20
GT	Gauging Tool	4.00
NEW!! IH COVERING DISC BRACKET FVC		
8000IHC	IH Covering Disc Bracket FVC	\$39.95
8000IHCMB	Mounting Bracket	18.50
NB	Nuts and Bolts Package	3.50
8000IHCS	Short Shaft, Long Threads (5/8)	11.95
8000IHCP	Poly Block	6.00
NOTE: Farmers use their own covering disc, bearing, & hub assembly from their planter)		
WHITE 8000 ANGULAR SERIES		
8000A	White 8000 Angular Complete FVC	\$45.83
8000AMB	Mounting Bracket	18.50
NB	Nuts and Bolts Package	3.50
8000AS	Short Shaft, Short Threads	11.95
1002	Grey Poly Disc	7.50
1003	Steel Disc	7.50
2001	Hub	6.95
3001	Bearing	11.20
GT	Gauging Tool	4.00
WHITE 8000 SINGULAR SERIES		
8000S	White 8000 Singular Complete FVC	\$45.83
8000SMB	Mounting Bracket	18.50
NB	Nuts and Bolts Package	3.50
8000SS	Short Shaft, Long Threads	11.95
1002	Grey Poly Disc	7.50
1003	Steel Disc	7.50
2001	Hub	6.95
3001	Bearing	11.20
GT	Gauging Tool	4.00
YETTER		
9000	Yetter Complete FVC	\$45.83
9000MB	Mounting Bracket	18.50
NB	Nuts and Bolts Package	3.50
9000S	Short Shaft, Short Threads	11.95
1002	Grey Poly Disc	7.50
1003	Steel Disc	7.50
2001	Hub	6.95
3001	Bearing	11.20
GT	Gauging Tool	4.00

prices subject to change



NEW! IH FVC bracket with Concave Cover Disc - side view. Call for a price on our cover disc assembly.



FVC Complete with straight FVC disc