

LIQUID FERTILIZER ATTACHMENT MOUNTING INSTRUCTIONS

Optional Fitting for Rebounders

Case IH 800, 900, 950, 955 Series Planters and IH 5400 Soybean Special Drill

(Read Instructions Completely before Beginning Installation)

There are **two options** listed below for liquid fertilizer attachments. The first describes using the Y-Not Split-It or Hose Holder kit in place of the Stainless Steel Tube Kit. The second describes using the Stainless Steel Tube Kit.

OPTION #1:

Y-Not Split-It / Hose Holder Mt. Instructions (in place of the Stainless Steel Hose Kit)

Before you begin locate the “package contents” list to verify all items are included.

Step #1: refer to **fig. (a)** to assemble the Y-Not or Hose Holder, refer to instructions included in each of those kits. The following instructions assume you already have those items pre-assembled.

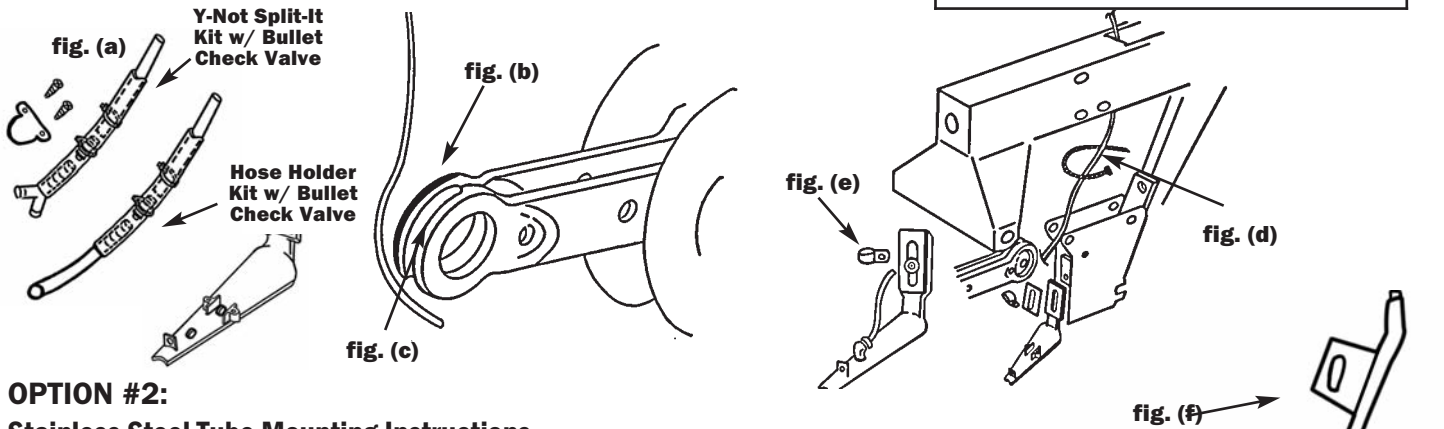
Step #2: remove covering disc bolt from seed boot and slide housing out of seed boot enough to use a grinder to bevel the covering disc bracket for the 1/4” fertilizer hose (**fig. (b)**). **OR** remove covering disc bracket and grind a shallow groove in the center of the bracket so the fertilizer hose can lay in the groove and not be crushed (**fig. (c)**).

Step #3: use the tie strap to hold the hose to the seed tube - leave it loose (**fig. (d)**). This prevents it from touching the disc. Make sure the hose can flex with the Rebounder.

Step #4: place the 1/4” tube clamp to the bolt that holds the Rebounder (**fig. (e)**). This clamp is used with both Straight Shot and Y-Not Split-It.

Hose Holder Package Contents for IH 800/900 type (per single row)	
Item	Quantity
3/8” Clear Hose.....	1
1/4 Black Hose.....	1
Metal Plate.....	1
Tie Strap.....	1
Tube Clamp.....	1
Instruction Sheet.....	1

Y-Not Split-It Package Contents for IH 800/900 type (per single row)	
Item	Quantity
“Y”.....	1
1/4 Black Hose.....	1
3/8” Clear Hose.....	1
Tie Strap.....	1
Metal Plate.....	1
Tube Clamp.....	1
Instruction Sheet.....	1



OPTION #2:

Stainless Steel Tube Mounting Instructions

Before you begin locate the “package contents” list to verify all items are included.

Step #1: for 2004 and earlier Rebounders, Install Rebounder as directed in the mounting instructions. Next, remove the rear scraper bolt from the lead disc on each row as shown in (**fig. (f)**). For CIH 800/900/950 this would be the left side. For CIH 955 or 1200, there are right lead discs and left lead discs. When ordering, specify that you will need 1/2 left tubes to 1/2 right tubes. Right lead disc tube has red paint on tab.

Step #2: place stainless tube over scraper bolt so the tube comes out over the top of the Rebounders. Tighten the scraper bolt into place. **IMPORTANT:** be sure to leave 3/8” to 1/2” space between the stainless tube and the top of the Rebounder. Failure to provide this clearance could cause dirt to build up and interfere with the function of the Rebounder, which must be able to flex. Necessary clearance can be made by loosening the scraper bolt and raising or lowering the tube in the adjusting slot.

Step #3: Re-tighten the bolt and check it to make sure you have this clearance. Next, insert the tube clamp over the 5/16” bolt. This will help hold the stainless steel tube in place when planting in heavy residue.

Stainless Steel Tube Package Contents for IH 800 + (per single row)	
Item	Quantity
Stainless Tube.....	1
Tube clamp.....	1
Black Hose.....	1
Instruction sheet.....	1