

## REBOUNDER™ MOUNTING INSTRUCTIONS

### Great Plains Solid Stand and No-Till Drills

(Read Instructions Completely before Beginning Installation)

**Before working on your planter or drill**

**DANGER:** when storing or working on the planter always install cylinder stops or place the planter on stands to prevent personal injury or damage to the Rebounder. **WARNING:** do not roll back or back up the planter in or on the ground as this can result in damage to the Rebounder.

### Mounting Instructions

Before you begin locate the “package contents” list to verify all items are included.

**NOTE:** See **HELPFUL HINTS FOR MOUNTING REBOUNDERS TO DRILLS**

**Step #1:** remove one disc from the first row (no other discs need to be removed). This will allow you to establish your settings for the other rows. The bracket and the Rebounder can be pre-assembled before installing the other rows.

**Step #2:** as a starting point, we suggest using the 5th and 6th holes (from the top down) on the Rebounder, and the 2nd and 4th holes (from the top down) on the bracket. Adjust as required for your particular drill or wear on discs.

**Step #3:** remove the nut and washer from the scraper bolt (these will be re-used). Place the Rebounder and bracket on the inside of the scraper frame closest to the seed tube.

**Step #4:** replace the washer and lock nut to secure the scraper and Rebounder bracket (if you have a scraper).

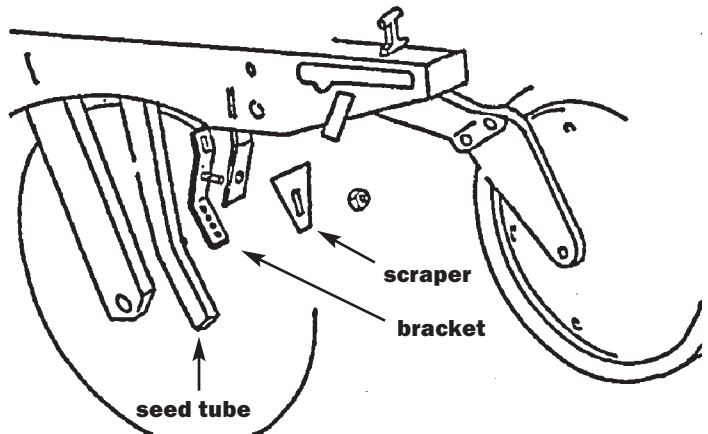
**Step #5:** center the Rebounder bracket between discs and tighten the lock nut on the bolt.

**NOTE:** the molded in tab on the top side of the Rebounder accommodates a 1/4” fertilizer or chemical tube for direct in-furrow application. The Y-Not Split-It is usually not recommended on Drills with press wheels that run in the trench. The reason for this is because fertilizer tends to build up on the tires more. The Straight Shot fitting (see **fig. (b)**) is recommended as the Optional Fitting to use for applying fertilizer.

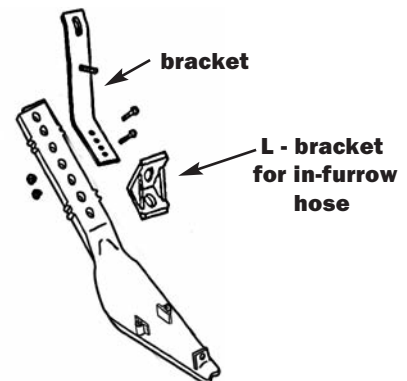
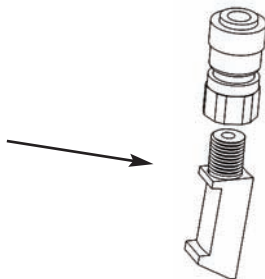
Rebounder Package Contents (per single row)	
Item	Quantity
Rebounder .....	1
1/4 x 1” bolts .....	2
L-bracket .....	1
1/4” whiz nut.....	1
1/4” nut.....	1
Instruction Sheet .....	1

Bracket Package Contents (per single row)	
Item	Quantity
Bracket.....	1



**fig. (b)**  
**Straight Shot**



Rebounder covered by one or more of the following U.S. patents: 5,640,915; 5,918,557; 6,082,275; 6,283,050; 6,453,832; 6,763,773 and 7,121,216.

## **HELPFUL HINTS FOR MOUNTING THE REBOUNDER™ ON DRILLS**

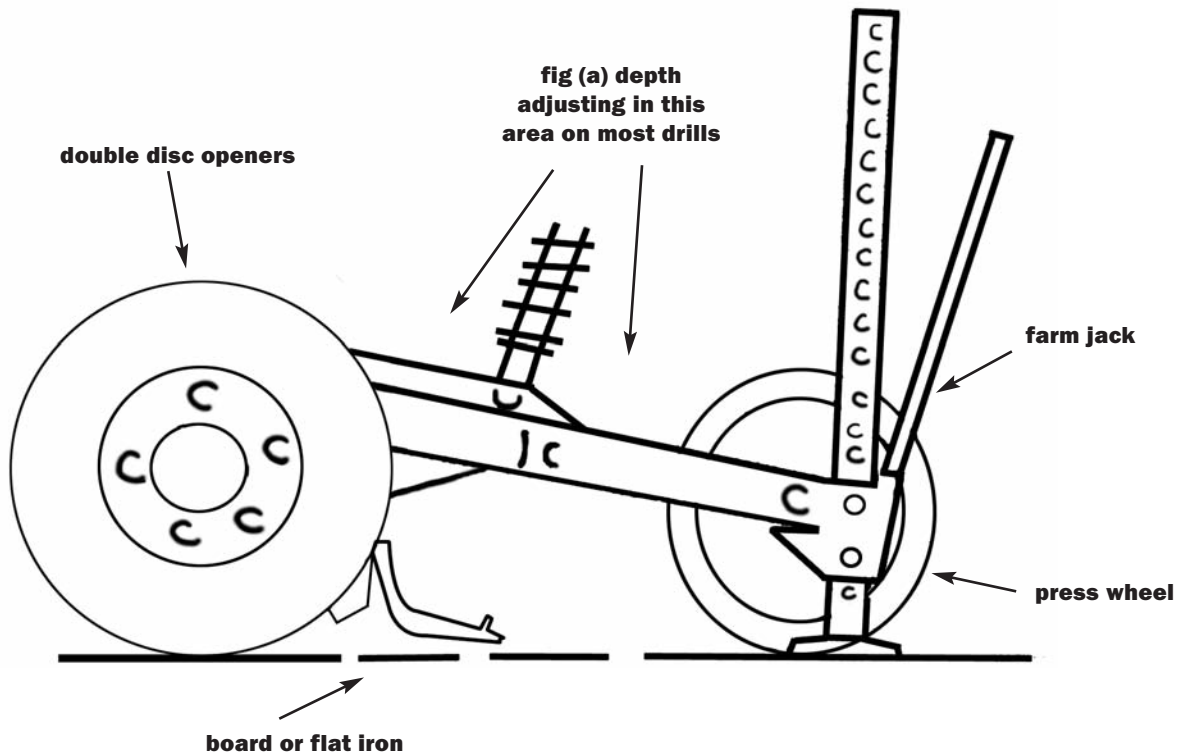
(Read Instructions Completely before Beginning Installation)

### **Before working on your planter or drill**

**DANGER:** when storing or working on the planter always install cylinder stops or place the planter on stands to prevent personal injury or damage to the Rebounder. **WARNING:** do not roll back or back up the planter in or on the ground as this can result in damage to the Rebounder.

### **Helpful Hints**

- Step #1:** use a farm jack on the press wheel to raise up the drill unit 3-4" before you mount the first row.  
**IMPORTANT:** have press wheel adjusting handle of knob, in the position you would normally run in the field (see **fig (a)**).
- Step #2:** slide a board or piece of flat iron under the double disc openers and back under the press wheel tire. The board or flat iron represents the bottom of the seed V.
- Step #3:** now you can bolt the Rebounder to the bracket on the drill. Position the Rebounder on the bracket so that the trailing end will be from 3/8" - 1/2" off the board or flat iron. Using the 1/4" bolts attach the Rebounder to the bracket on the drill.
- Step #4:** variances in the disc blade size will occur among individual drills as well as within any single drill. Measure discs behind the tire track rows. If they are worn more than other rows this process may need to be used to set these rows also.
- Step #5:** if replacing Rebounders on previously installed brackets, simply remove the old Rebounder without removing the disc blade. Using a small bar magnet or a long handled magnet, place the bolt on the magnet and slide it up between the discs and into the holes of the bracket and the Rebounder. This allows you to come in behind with a wrench or socket to install and tighten the nuts.



Rebounder covered by one or more of the following U.S. patents: 5,640,915; 5,918,557; 6,082,275; 6,283,050; 6,453,832; 6,763,773 and 7,121,216.