

**TROUBLESHOOTING THE REBOUNDER™ ON CASE IH PLANTERS**

**Case IH Series Planters**

(2 pages)

**Before working on your planter or drill**

**DANGER:** when storing or working on the planter always install cylinder stops or place the planter on stands to prevent personal injury or damage to the Rebounder. **WARNING:** do not roll back or back up the planter in or on the ground as this can result in damage to the Rebounder.

**Troubleshooting Guide**

The following will describe the appropriate **down pressure settings** and the **size of the covering discs** to ensure proper seed placement when using the Rebounder Seed Cover with Case IH planters.

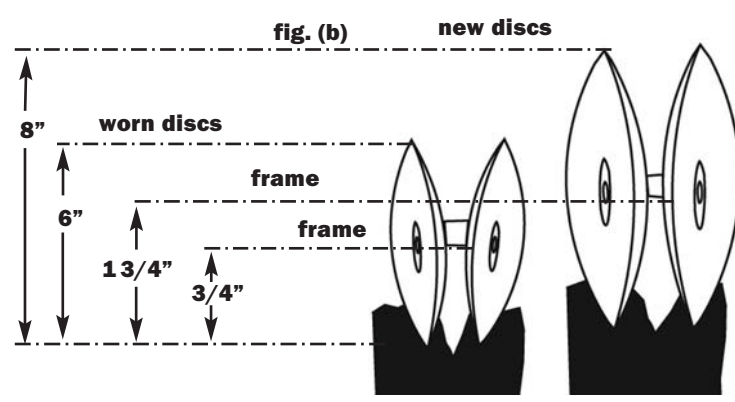
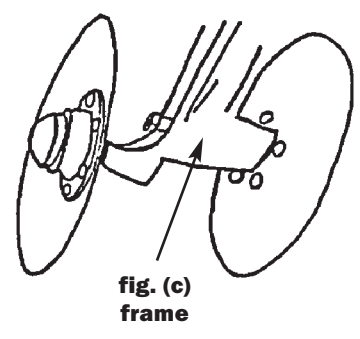
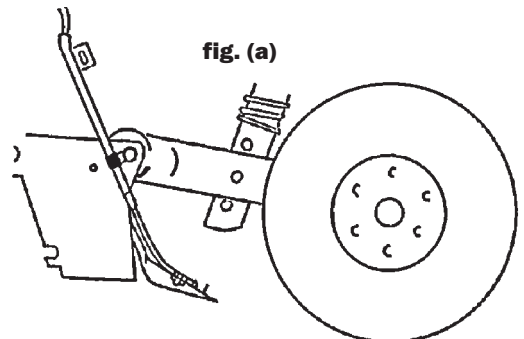
The Rebounder Seed Cover and accompanying fertilizer attachments work very well with Case IH planters. In fact, many farmers have commented on the Rebounder's consistent ability to place the seeds deep into the seed V. They no longer find seeds on top of the ground, or mixed throughout the seed V. Along with this major benefit, the Rebounder also allows farmers to increase air pressure, contributing to better delivery of seeds to the outer rows. Decreasing the worry of blowing seeds out of the V where the tubes are shorter.

Case IH planters have a unique closing system composed of 2 reverse concave discs that squeeze the seed V shut ahead of the press wheel. The 900 and newer series have three holes for down pressure adjustment in the bottom of the tube. This holds the covering disc springs (**fig. (a)**). The top hole provides 20 lbs. of pressure on the discs for closing the seed furrow, while the middle hole provides 30 lbs. of pressure and the bottom one, 40 lbs.

The **800 series planters** have only one hole for down pressure adjustment. However, a **900 update kit** is available with staggered discs and a new tube with 3 holes of adjustment. Or if necessary, drill the other 2 holes in the older 800 tube.

In theory, the more pressure applied, the deeper the discs run in the ground. In heavy textured, no-till soils one might have to run with maximum pressure or have the pin in the bottom hole of the insecticide tube. In minimally tilled or conventionally tilled soils, the pin should be put in the middle or top hole of the insecticide tube, depending on the looseness of the soil.

Not only is the down pressure setting important but so is the size of the covering disc. New discs measure 8", worn discs need to be changed before they reach 6 1/4". Even with the new discs, running 1 1/4" deep puts the frame between the discs at only 1 3/4" above the soil surface (**fig. (b)**). With discs worn to 6 1/4", the frame is within 3/4" of the soil surface. How many root balls or corn stalks can squeeze through a 3/4" opening at 5 mph? (**fig. (c)**) To ensure uniform seed spacing, be sure to monitor the covering discs, this is the most critical area on Case IH planters.



Rebounder covered by one or more of the following U.S. patents: 5,640,915; 5,918,557; 6,082,275; 6,283,050; 6,453,832, 6,763,773 and 7,121,216.

**TROUBLESHOOTING THE REBOUNDER™ ON CASE IH PLANTERS**

**Case IH Series Planters**  
continued...

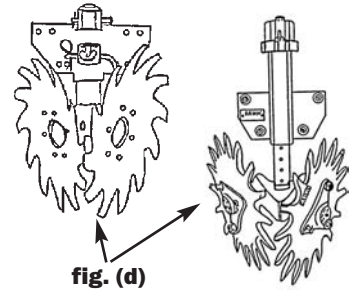
**Troubleshooting specific areas of the planter**

The following will describe areas of the planter that can be problematic and offer helpful solutions.

PROBLEM	SOLUTIONS
---------	-----------

**Trash Build-up**

- try not to field cultivate so deeply ahead of planting and trash will not be buried so deep.
- use furrow openers or trash wheels in front of the planter to move trash away from covering discs (**fig. (d)**).



**Disc Pressure**

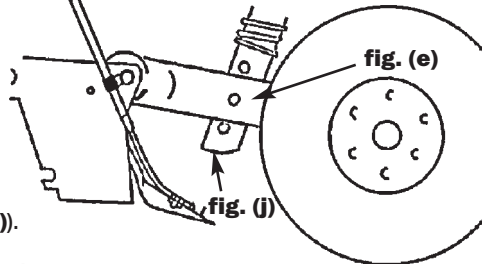
- set the disc pressure according to soil type and field conditions (**fig. (e)**), or see IH Dealers for IH 800 update to IH 900 model.

**Disc Size**

- use 7" or larger covering discs on the planter (see **pg. 1 for further directions**).

**Inconsistent Seed Placement & Depth**

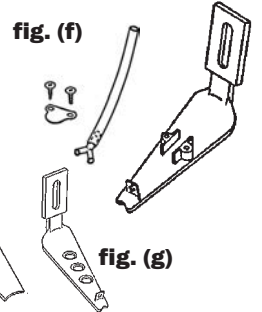
- install the Rebounder Seed Cover's to ensure proper seed placement and uniform depth.



**In-Furrow Placement**

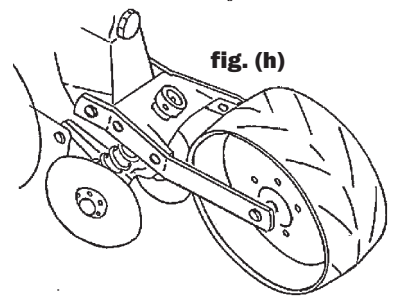
- liquid in-furrow fertilizers, chemicals, or insecticides off the end of the Rebounder are kept in-furrow and away from the seed tube to prevent plugging (**fig. (f)**).

- dry in-furrow fertilizers or insecticides can also be applied through the insecticide tube. This is accomplished by drilling a series of holes through the top of the Rebounder or by cutting the Rebounder off 2" up from the bottom (**fig. (g)**). Call for further instructions - **800-382-2607**.



**Press Wheel Stop**

- after years of planter use the press wheel stops become fatigued and start to bend. A travel stop should be installed on the press wheel bracket. This will prevent the covering disc and insecticide tube from resting on the Rebounder when the planter is in the raised position (**fig. (h)**).



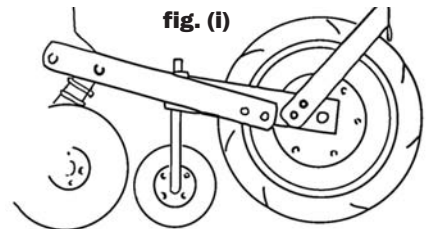
**IH Covering Disc Pressure**

- installing Furrow V Closer discs behind the IH covering discs will allow you to run with less pressure on the covering discs (**fig. (i)**).

- better seed to soil contact is achieved with a Furrow V Closer because it "stitches" the seed V shut in wet, heavy soils so it doesn't crack open again after planting.

**Gauge Wheel Wear**

- if there is wear on the gauge wheel arm, the gauge wheels will spread apart and allow dirt and mud to build up, causing the seed V opening to be deformed due to the blade not being scoured clean.



**Insecticide Tube Length**

- to avoid having the insecticide tube hit the Rebounder, it might be necessary to cut 1/2 - 3/4" of the insecticide tube off (see **fig. (j)** above).