

REBOUNDER™ MOUNTING INSTRUCTIONS

Buffalo Planters 4500 Series (IH type Rebounder)

(Read Instructions Completely before Beginning Installation)

Before working on your planter or drill

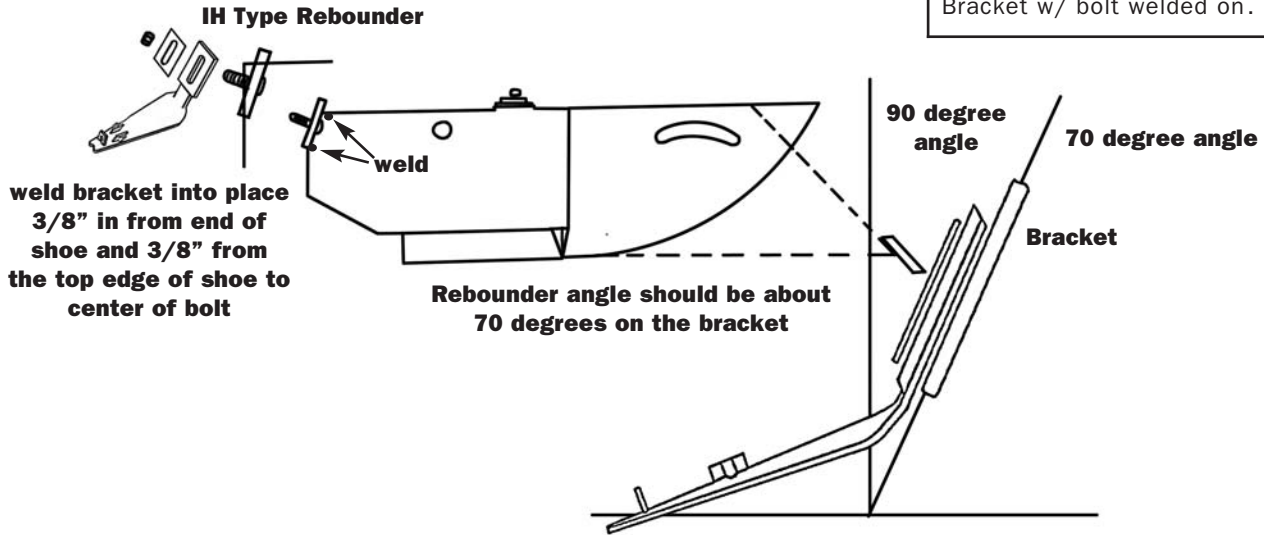
DANGER: when storing or working on the planter always install cylinder stops or place the planter on stands to prevent personal injury or damage to the Rebounder. **WARNING:** do not roll back or back up the planter in or on the ground as this can result in damage to the Rebounder.

Mounting Instructions

Before you begin, verify all items listed in the “package contents” table.

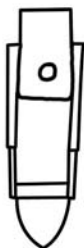
Optional fittings are available for fertilizer/chemical applications. Options include, Y-Not Split-It, Hose Holder, or Quick Coupler, each available for an additional charge.

Rebounder Package Contents (per single row)	
Item	Quantity
Rebounder	1
Instruction Sheet	1
Reinforcement plate	1
nut	1
Bracket Package Contents (per single row)	
Item	Quantity
Bracket w/ bolt welded on	1



weld bracket into place 3/8" in from end of shoe and 3/8" from the top edge of shoe to center of bolt

rear - even with (or slightly above) top



top

