

G2™ MOUNTING INSTRUCTIONS

John Deere Cotton Closer

Before working on your planter or drill

DANGER: When storing or working on the planter always install cylinder stops or place the planter on stands to prevent personal injury or damage to the attachments.

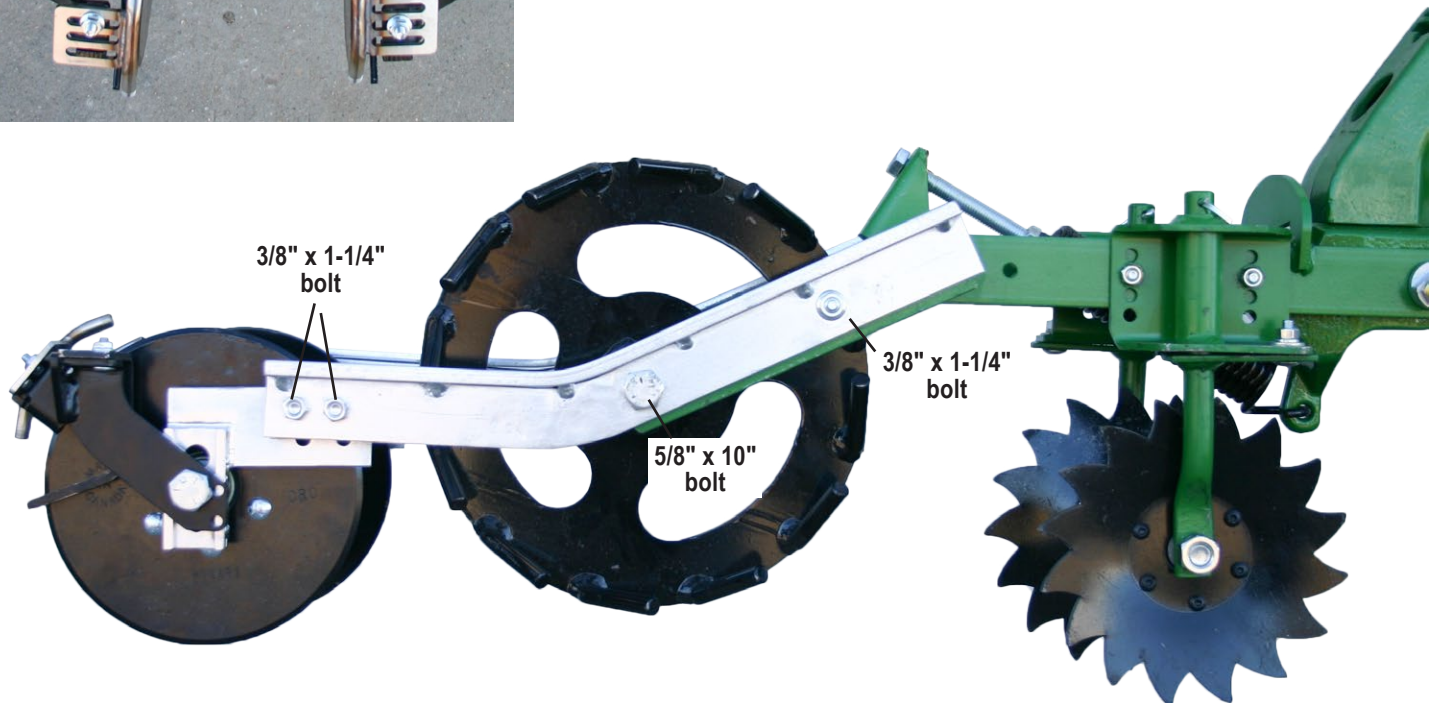
PLEASE: Read instructions completely and verify all package contents before beginning installation

NOTE: Fits John Deere cotton closing system disc with part #BA27006

Installing the Arm Bracket to the Tail Section



G2 Package Contents (per single row)	
Item	Quantity
Bearing, Disc, Hub (Assembly)	2
Fertilizer Bracket	2
Fertilizer Tube Guide	2
Trash Deflector	2
1/2" Spacer	2
5/8" x 3" Bolt	2
5/8" Lock Nut	2
1/4" x 3/4" Carriage Bolt	4
1/4" Whiz Nut	4
Hose	2
Hose Clamp	2
Instruction Sheet	1
Mounting Bracket Package Contents (per single row)	
Item	Quantity
Arm	2
3/8" x 1-1/4" Bolt	6
3/8" Lock Washer	6
3/8" Nut	6
5/8" x 10" Press Wheel Bolt	1
5/8" Lock Nut	1



OVER →

G2™ MOUNTING INSTRUCTIONS

John Deere Cotton Closer

Installing the Fertilizer Bracket & Disc Assembly to the Arm Bracket

