

**FURROW V CLOSER MOUNTING INSTRUCTIONS**

Replacing the IH 800 - 1200 Covering Discs with the FVC brackets  
 (use one of th covering discs off your planter)  
 (Read Instructions Completely before Beginning Installation)

**Before working on your planter or drill**

**DANGER:** when storing or working on the planter always install cylinder stops or place the planter on stands to prevent personal injury or damage to the attachments. Do not allow planter to rest on poly FVC discs as they can warp

**Mounting Instructions**

Before you begin, verify the "package contents" to ensure all items are included.

**IMPORTANT:** When installing, the covering disc must be on the same side as the LEADING DISC on the double disc opener on the planter.

**Step #1:** Assemble the Furrow V Closer. Begin by removing the covering disc assembly and insecticide tube from your IH Planter (**fig. (a)**). You will need to save one of the covering discs off an IH 900 or newer planter to use on the FVC bracket.

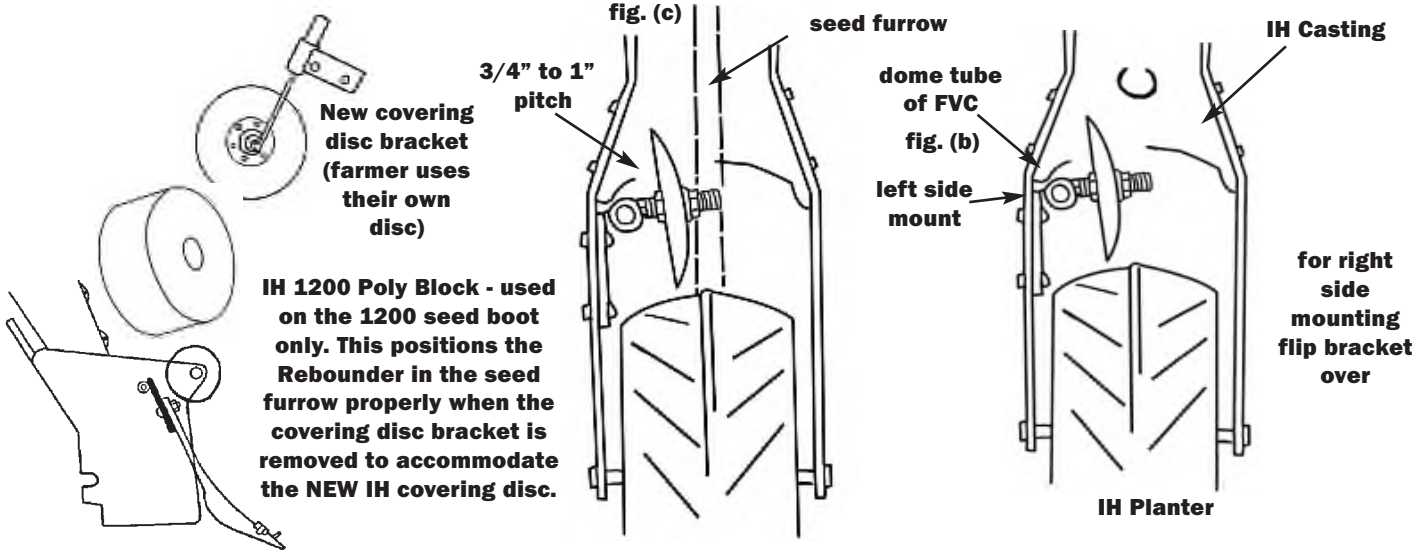
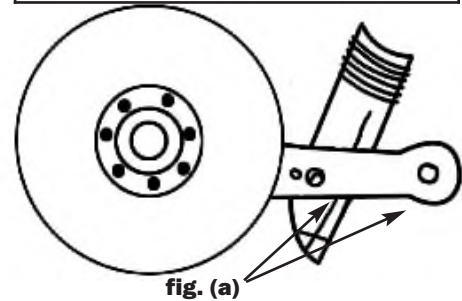
**Step #2:** When mounting the FVC bracket, you simply place the dome tube part of the FVC bracket as close to the casting that is bolted to the press wheel arms. The FVC bracket will work on the left or right side of the press wheel (see **fig.(b)**).

**Step #3:** Position the FVC and check carefully to see that the FVC clears the press wheels or anything else during operation, before welding or drilling holes on the press wheel arms. Clamp bracket parallel with the arm (right side or left side) then drill the 2 holes through the press wheel arm. Bolt the bracket on with the (2) 3/8 " x 1 1/2" bolts. Now you are ready to assemble the IH covering disc off your planter to the 5/8" all thread shaft. Place one 5/8" jam nut on the shaft before sliding the covering disc on (concave dish of the disc faces towards the furrow). This helps ensure that mud will not build-up.

**Step #4:** Starting positions for the disc on the shaft is the center of the all threaded shaft. You will want the bottom cutting edge of the disc about 1" away from the furrow. Next pitch the disc out in the front from 3/4" to 1" further so the disc will fill the seed furrow (**fig.(c)**). The recommended depth is 3/4" (1" max.). Adjust to suit different soil types, moisture, or residue. Check and adjust in the field. Be sure to tighten all bolts and jam nuts and triple seat setscrews (loosen and retighten 3 times). This removes any paint on the shaft and allows the end of the setscrew to dig into the shaft, preventing the shaft from turning or slipping.

**NOTE:** We have New IH bearings, discs, and hubs for sale if your's is worn out. CALL FOR DETAILLS.

IH 800-1200 Covering Disc Brackets FVC Package Contents (per single row)	
<b>HARDWARE KIT</b>	
<b>Item</b>	<b>Quantity</b>
3/8" x 1-1/2" bolts.....	2
nuts .....	2
lock washer .....	2
1/8" x 1" cotter pin.....	1
3/8" jam nut .....	2
5/8" jam nut .....	2
3/8" x 1" set screws* .....	2
Instruction Sheet .....	1
<b>PARTS LIST</b>	
<b>Item &amp; Part #</b>	<b>Quantity</b>
Shaft (4004) .....	1
Mt. Bracket (5008) .....	1
(with holes field drill or weld)	
*NOTE: some hardware is installed at the factory.	



**We sell covering disc assemblies if your's is worn out.**