

# FURROW V CLOSER® MOUNTING INSTRUCTIONS

## Kinze 2000 & 3000 Series Planters

Before working on your planter or drill

**DANGER:** When storing or working on the planter always install cylinder stops or place the planter on stands to prevent personal injury or damage to the attachments. Do not allow planter to rest on poly FVC discs as they can warp.

**PLEASE:** Read instructions completely and verify all package contents before beginning installation.

**NOTE:**

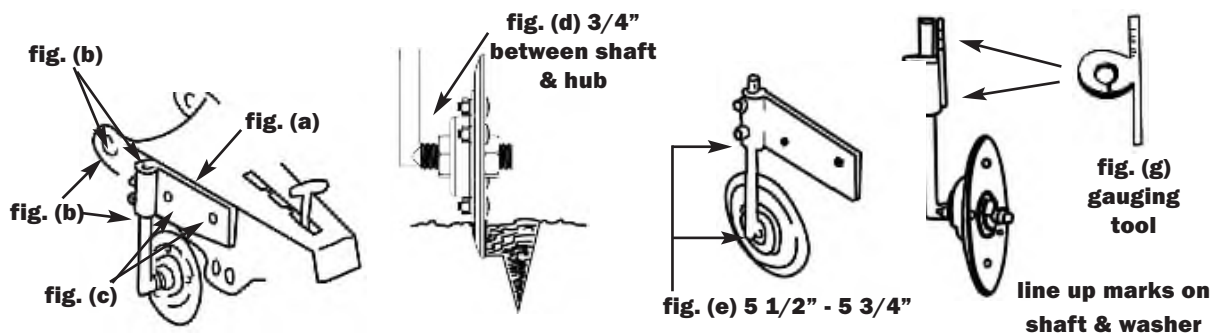
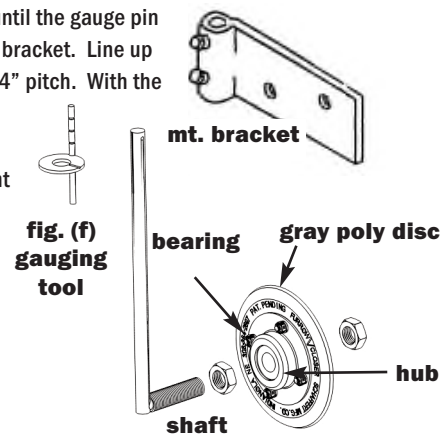
**OLDER STYLE KINZE 2000 HAVE THE FVC MOUNT ON THE RIGHT HAND SIDE BECAUSE OF THE PRESS WHEEL CASTING, BUT THE NEWER 2000 & 3000 STYLES THAT DON'T HAVE THE PRESS WHEEL CASTING MOUNT ON THE LEFT HAND SIDE.**

- Step #1:** Assemble the Furrow V Closer. Remove the two 3/8" square headed set bolts from the mounting bracket and install the two 3/8" jam nuts. Remove the press wheel from the right side (or left side) of the covering wheel bracket. Clamp mounting bracket to right or left side of covering wheel bracket. Position Furrow V Closer bracket 1/2" down along top side of the covering wheel bracket (**fig. (a)**) and at a point 3 1/4" from the center of the hinge bolt to the center of the FVC shaft (**fig. (b)**). Replace press wheel in rear hole of the bracket to see if you have 3/8"x1/2" clearance between the FVC shaft and the tire. Call us for right side mounting instructions.
- Step #2:** Drill two 3/8" holes through the FVC bracket to install 3/8"x1" bolts (**fig. (c)**). Tighten all nuts and replace press wheel in back hole.
- Step #3:** Install poly disc to all thread of the shaft using a 3/4" jam nut on each side of the disc. Inward and outward adjustment is made with the 3/4" jam nuts (**fig. (d)**). Start at a distance of 3/4" between the hub and the shaft.  
**Ex.:** Use a 1/2" hex sided nut from your bolt bin and place it between the shaft and hub to give 3/4". Tighten both 3/4" jam nuts.
- Step #4:** Now you are ready to install the shaft into the mounting bracket. Depth and pitch will be set simultaneously before set bolts are tightened. Set the depth of the shaft (**fig. (e)**) from 5 1/2" to 5 3/4". Recommended disc depth is 3/4" (minimum) to 1" (maximum). Never run disc deeper than the outer edge of the hub.
- Step #5:** One gauging tool to help in setting correct pitch is provided with every two rows (**fig. (g)**). Place gauging tool over the shaft. Turn the gauging tool counter clockwise until the gauge pin bumps up against the front of the FVC mounting and the frame of the press wheel bracket. Line up the marks on the gauging tool with the marks on the shaft. This will produce a 3/4" pitch. With the depth and the pitch set, tighten square headed set bolts into the shaft.
- Step #6:** Make final adjustments of **fig. (a - g)** with the planter in the ground, stopped in the field. You want the seed trench filled with soil. An adequate pitch is important to prevent the poly discs from warping. The poly disc will rest on the gauge wheel tire without harming it when planter is raised. When an optional steel disc is used, a travel stop must be put on the gauge wheel so that the steel disc will not cut the tire when the planter is raised.

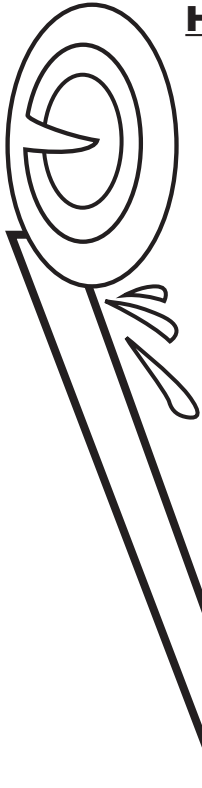
**Important Points to Remember:**

- When setting the pitch of the Furrow V Closer; lift the gauge wheel up so the FVC disc can properly be pitched. Gauge wheel tire will rest on FVC disc and will not hurt it.

FVC Package Contents for Kinze 2000 Series Planters (per single row)	
<b>HARDWARE KIT</b>	
<b>Item</b>	<b>Quantity</b>
1/4" x 3/4" carriage bolt*	4
1/4" nut*	4
1/4 lock washer*	4
3/8" x 1" bolt	2
3/8" nut	2
3/8" lock washer	2
1/8" x 1" cotter pin	1
3/4" jam nut	2
3/8" jam nut	2
3/8" x 1" set screw*	2
gauging tool (per box of 2)	1
Instruction Sheet	1
<b>PARTS LIST</b>	
<b>Item &amp; Part #</b>	<b>Quantity</b>
Gray Poly Disc (1002)	1
Steel Disc (optional - 1003)	1
Hub (2001)	1
Bearing (3001)	1
Shaft (4001)	1
Mt. Bracket (5007)	1
*NOTE: some hardware is installed at the factory.	



# FURROW V CLOSER™ HELPFUL HINTS



## Helpful Hints for Mounting Furrow V Closers

The key to making the Furrow V Closer work is taking a few minutes to adjust and tighten it in the field. The recommended depth is 3/4" (1" maximum). Adjust to suit different soil types, moisture, or residue. Disc does not have to turn 100% of the time to work properly. Remember, every planter is different, fields can be different and soil conditions can change.

Make final adjustments of the FVC with the planter in the ground and stopped to check each row. You want the seed trench filled with soil ahead of the press tires. Be sure to tighten all bolts and all jam nuts and triple seat set screws (loosen and tighten 3 times). This removes any paint on the shaft and allows the end of the set screw to dig into the shaft, preventing the shaft from turning or slipping. Install 1/8" cotter pin in top of shaft.

Normally once the Furrow V Closers are set there is no adjusting necessary later.

## Important Points to Remember

- Do not allow planter to rest on poly Furrow V Closer discs during storage! Furrow V Closer discs can warp!
- Check the tail section's full range of motion for adequate FVC clearance.
- If you have a field you don't need to use the FVC on, just remove the bearing, hub, and disc assembly and not the shaft it runs on. This saves time in re-setting the FVC when you need it. More pitch and less depth move the same amount of soil.
- Reduce the down pressure on the press wheels! This helps prevent compaction which allows quicker emergence and at the same time saves press wheel bearings.
- The FVC stitches the seed V shut so it doesn't crack back open on a hot, windy day after planting.