

# HOSE HOLDER MOUNTING INSTRUCTIONS

## For Planters

**Before working on your planter or drill**

**DANGER:** When storing or working on the planter always install cylinder stops or place the planter on stands to prevent personal injury or damage to the attachments.

**PLEASE:** Read instructions completely and verify all package contents before beginning installation.

### ! IMPORTANT POINTS !

- The holder in this kit acts as a guide keeping the disc from rubbing on the 1/4" fertilizer or chemical hose.
- The Hose Holder must be mounted to the Rebounder before the Rebounder is attached to the seed tube.
- **DO NOT STRAP ANY LARGE TIE AROUND ANY PART OF THE HOSE.** The hose must be able to flex independently with the Rebounder.

1. Take the propeller t-nut (**fig. (a)**) and insert it into the hole on the backside of the Rebounder saw tooth insert (**fig. (b)**) using a hammer or pliers to press it into the plastic.
2. Turn the saw tooth insert over, placing it into the Rebounder (see Rebounder mt. instructions for proper placement of the saw tooth). Now place the L-bracket (**fig. (c)**) with the small hole on the Rebounder with the washer (**fig. (d)**) on top, over the hole of the propeller t-nut.
3. Using a screw driver, tighten the round-head, slotted (10-24x3/8") screw (**fig. (e)**) into the propeller t-nut.
4. Attach Rebounder to the seed tube (see Rebounder mt. instructions for your planter type).
5. Slice through one side of the short piece of clear plastic hose (lengthwise), then place it over the 1/4" orange hose about 2" from end of 1/4" hose (**fig. (f)**). In order to run the fertilizer or chemical hose to the end of the Rebounder you must first run the hose through the large hole on the L-bracket (**fig. (g)**). Run the tube through the raised area that holds the screws and the hole in the molded-in tab at the end of the Rebounder. Extend the hose past the end of the Rebounder tip approximately 3/8".
6. Place the screws in the metal plate, over the clear hose that is over the orange hose and screw the metal plate down to the Rebounder to hold the hose in place (**fig. (h)**).

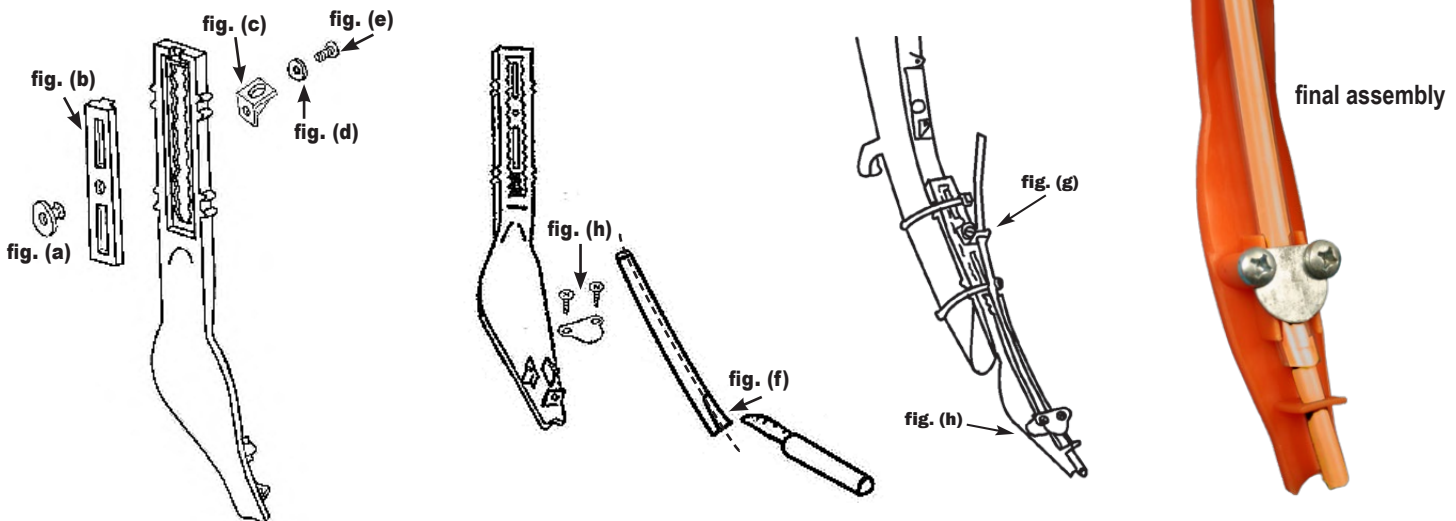
Hose Holder Package Contents for JD type (per single row)	
Item	Quantity
3/8" Clear Hose . . . . .	1
1/4" Orange Hose . . . . .	1
Metal Plate . . . . .	1
12x3/8" Phillips Screws . . . . .	2
Propeller T-Nut . . . . .	1
Screw for T-Nut Slotted . . . . .	1
Washer . . . . .	1
L Bracket . . . . .	1
Instruction Sheet . . . . .	1

Hose Holder Package Contents for CASE IH (per single row)	
! SEE BACK SIDE !	
Item	Quantity
3/8" Clear Hose . . . . .	1
1/4 Black or Gray Hose . . . . .	1
Metal Plate . . . . .	1
12x3/8" Phillips Screws . . . . .	2
Tie Strap . . . . .	1
Instruction Sheet . . . . .	1

**800 & 900 series also includes:**

Tube Clamp . . . . .	1
----------------------	---

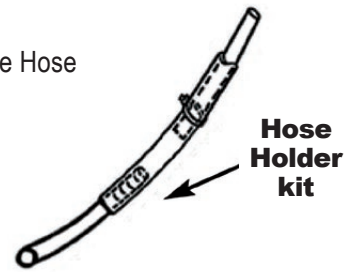


**! CASE IH SEE BACK SIDE ! →**

# HOSE HOLDER MOUNTING INSTRUCTIONS

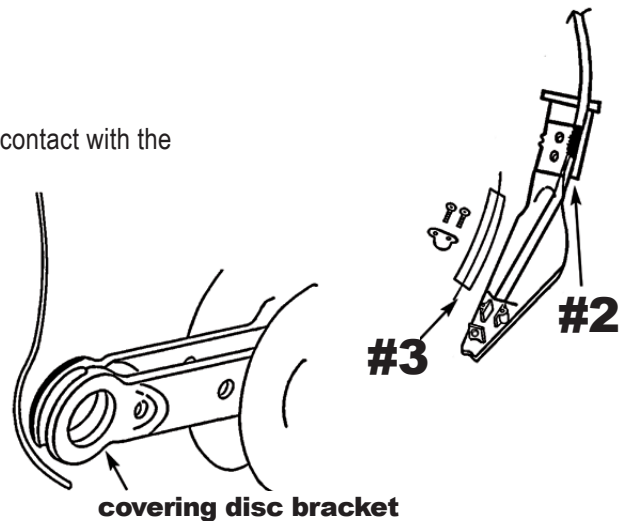
## For Case IH Planters

- #1:** Follow instructions on other side to assemble the Hose Holder and attach it to the Rebounder.



### CASE IH 1200 PLANTERS

- #2:** Thread the hose up inside the Case IH seed boot.
- #3:** You might have to shorten the clear hose so it doesn't come in contact with the covering disc bracket.
- #4:** Put a small tie strap around the clear hose to hold it in place.
- #5:** Clear hose should be cut off to within 1" of the covering disc, pivot so that the Rebounder can flex without jamming the clear hose into the pivot casting of the covering disc.



### CASE IH 800 900 950 955 PLANTERS & 5400 SOYBEAN SPECIAL DRILL

- #2:** Remove covering disc bolt from seed boot and slide housing out of seed boot enough to use a grinder to bevel the covering disc bracket for the 1/4" fertilizer hose.
- OR**
- Remove covering disc bracket and grind a shallow groove in the center of the bracket so the fertilizer hose can lay in the groove and not be crushed.

- #3:** Use the tie strap to hold the hose to the seed tube—leave it loose. This prevents it from touching the disc. Make sure the hose can flex with the Rebounder.
- #4:** Place the 1/4" tube clamp to the bolt that holds the Rebounder.

