

REBOUNDER™ MOUNTING INSTRUCTIONS

Krause 5400 Drills (old and new style)

(Read Instructions Completely before Beginning Installation)

Before working on your planter or drill

DANGER: when storing or working on the planter always install cylinder stops or place the planter on stands to prevent personal injury or damage to the Rebounder. **WARNING:** do not roll back or back up the planter in or on the ground as this can result in damage to the Rebounder.

Mounting Instructions

Before you begin, verify all items listed in the “package contents” table.

Step #1: Now you are ready to bolt the Rebounder to the bracket. Before doing so, read the **Helpful Hints for mounting Rebounders to Drills.**

Step #2: remove one disc from each row unit to mount the Rebounder and bracket.

Step #3: remove the scraper from the drill (**fig. (a)**). Place Rebounder bracket (**fig. (b)**) under scraper. Using the two 1/4 x 3/4” bolts, bolt the bracket to the drill.

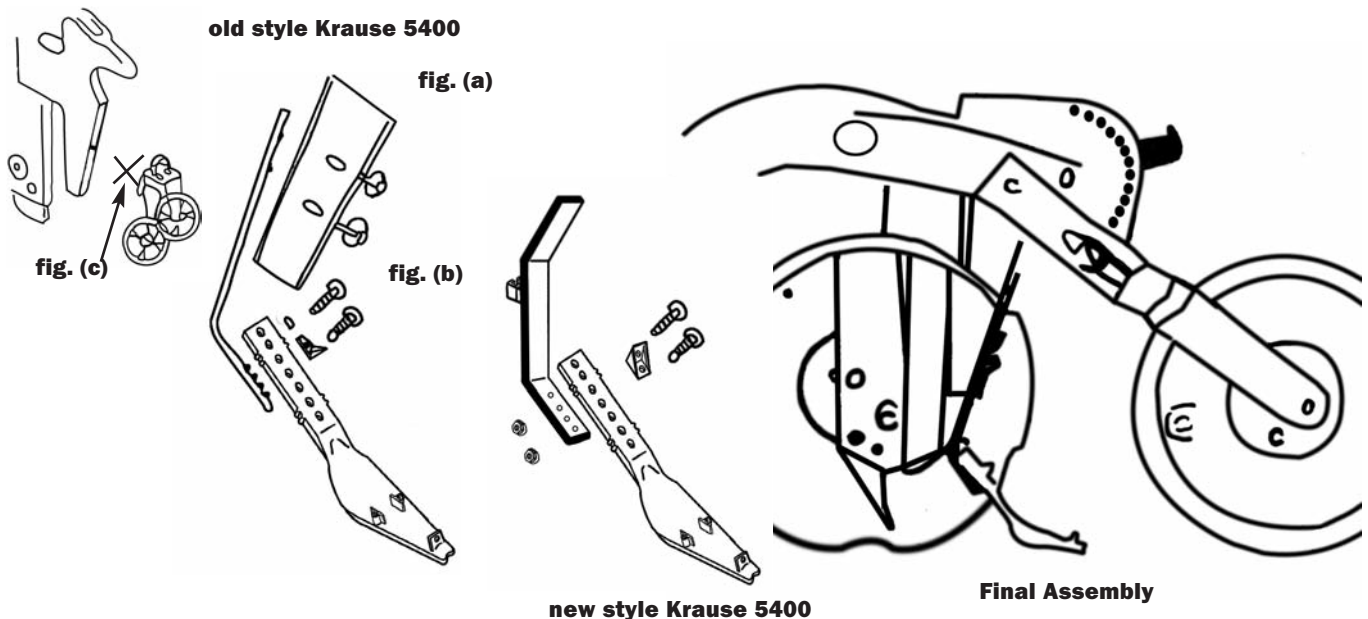
NOTE: 1998 and newer drills have only one hole in the casting where the scraper bolts on. The bottom hole found in previous models has been eliminated (**fig. (c)**).

Step #4: Four holes have been cut off the top of the Rebounder to allow for proper fit on this particular drill.

Step #4: using the 1/4 x 1” bolts provided, bolt the Rebounder to the bracket. A possible starting point for the Rebounder might be the bottom two holes of the Rebounder. The Rebounder needs to be 3/8” to 1/2” off the bottom of the seed V.

Rebounder Package Contents (per single row)	
Item	Quantity
Rebounder	1
1/4 x 1” Bolt	2
L-bracket	1
1/4” Whiz Nut	2
Instruction Sheet	1
Bracket Package Contents (per single row)	
Item	Quantity
Bracket	1
1/4 x 3/4” Bolt (old style).	2
Lock Nut	2

Optional fittings are available for fertilizer/chemical applications. Options include, Y-Not Split-It, Hose Holder, or the Straight Shot, each available for an additional charge.



HELPFUL HINTS FOR MOUNTING THE REBOUNDER™ ON DRILLS

(Read Instructions Completely before Beginning Installation)

Before working on your planter or drill

DANGER: When storing or working on the drill always install cylinder stops or place the drill on stands to prevent personal injury or damage to the Rebounder.

WARNING: Do not roll back or back up the drill in or on the ground as this can result in damage to the Rebounder.

Helpful Hints

Step #1: use a farm jack on the press wheel to raise up the drill unit 3-4" before you mount the first row.

IMPORTANT: have press wheel adjusting handle of knob, in the position you would normally run in the field (see **fig (a)**).

Step #2: slide a board or piece of flat iron under the double disc openers and back under the press wheel tire. The board or flat iron represents the bottom of the seed V.

Step #3: now you can bolt the Rebounder to the bracket on the drill. Using the 1/4" bolts attach the Rebounder to the bracket on the drill.

Step #4: variances in the disc blade size will occur among individual drills as well as within any single drill. Measure discs behind the tire track rows. If they are worn more than other rows this process may need to be used to set these rows also.

Step #5: if replacing Rebounders on previously installed brackets, simply remove the old Rebounder without removing the disc blade. Using a small bar magnet or a long handled magnet, place the bolt on the magnet and slide it up between the discs and into the holes of the bracket and the Rebounder. This allows you to come in behind with a wrench or socket to install and tighten the nuts.

