

REBOUNDER® MOUNTING INSTRUCTIONS

Kinze EdgeVac Seed Tube

Before working on your planter or drill

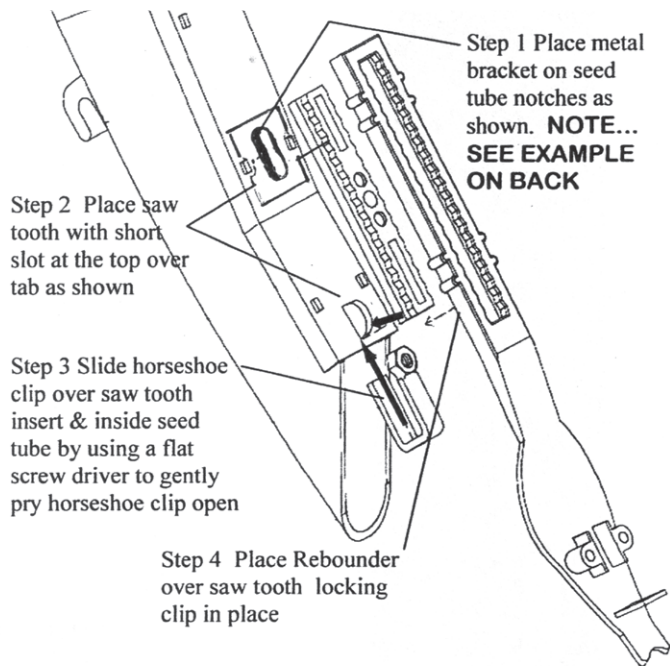
DANGER: When storing or working on the planter always install cylinder stops or place the planter on stands to prevent personal injury or damage to the attachments.

PLEASE: Read instructions completely and verify all package contents before beginning installation

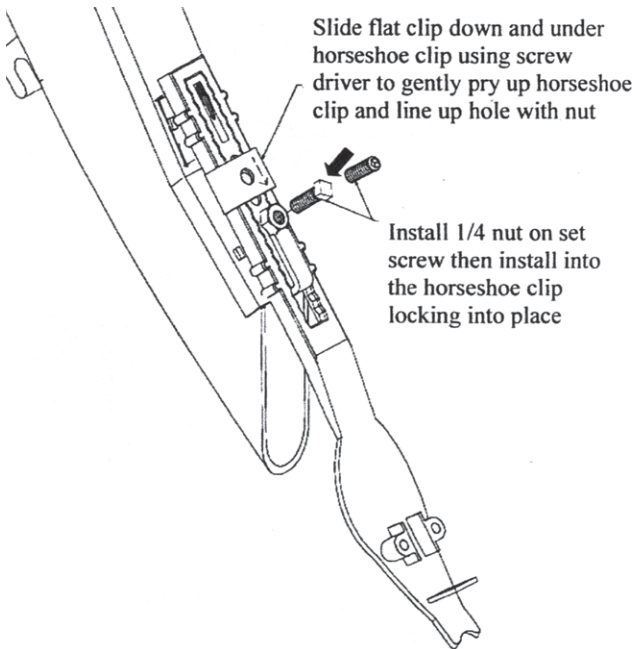
NOTE: If applying liquids in furrow with the Rebounder, attach either Y-Not Split It, Hose Holder, or Straight Shot kit by following kit directions.

INSTALL KIT BEFORE INSTALLING REBOUNDER TO PLANTER UNIT. See kit instructions.

Rebounder Package Contents (per single row)	
Item	Quantity
Sawtooth Rebounder	1
Sawtooth Insert	1
Tie Strap	1
Instruction Sheet	1
Bracket Package Contents (per single row)	
Item	Quantity
Mounting Bracket	1
Horseshoe Clip with Set Screw	1
Guard	1



Step 4 Place Rebounder over saw tooth locking clip in place



REBOUNDER® MOUNTING INSTRUCTIONS

Kinze EdgeVac Seed Tube

EXAMPLE BELOW SHOWS THE PLACEMENT OF THE METAL BRACKET WHICH CENTERS THE REBOUNDER TO THE SEED TUBE

