

# REBOUNDER® MOUNTING INSTRUCTIONS

## New Case IH 1200 Series Seed Boot

Before working on your planter or drill

**DANGER:** When storing or working on the planter or drill always install cylinder stops or place it on stands to prevent personal injury or damage to the attachments.

**PLEASE:** Read instructions completely and verify all package contents before beginning installation.

**1** Take seed boot off planter.

**2** Install Rebounder to welded-on bolt on the mounting bracket. The hole for the roll pin should be on the top side of the Rebounder. Install nut to hold Rebounder in place; tighten.

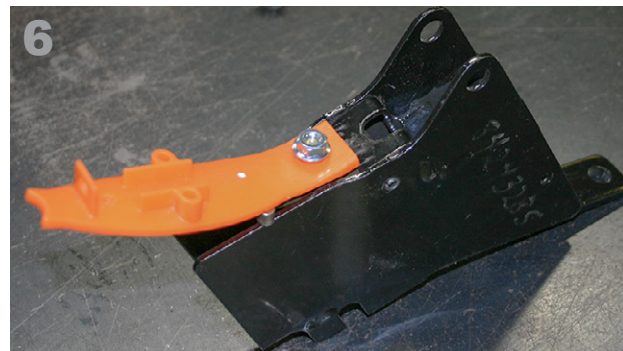
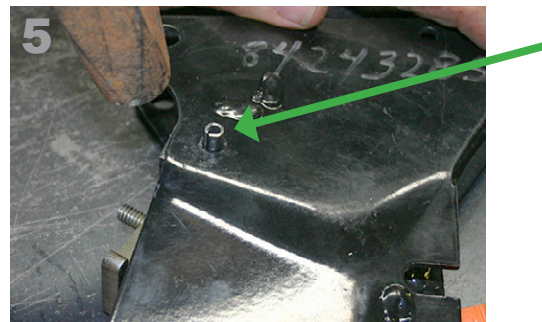
**3** Turn the bracket+Rebounder sideways to insert into seed boot and align roll pin hole on the bracket with roll pin hole on the boot. They probably will not align; take note of how far off the holes are.

**4** Use vice grips to bend back bottom part of welded-in "chair" in the center of the back of the seed boot so that the roll pin holes align.

**5** Re-insert Rebounder and mounting bracket. Use a roll pin punch to pound the roll pin in through the seed boot and bracket.

**6** Use a punch on the back of the chair to pound back into place. The bottom of the Rebounder bracket should seat fairly tightly against the back edge of the boot.

Rebounder Package Contents (per single row)	
Item	Quantity
Rebounder . . . . .	1
Instruction Sheet . . . . .	1
Mounting Bracket Package Contents (per single row)	
Item	Quantity
Bracket . . . . .	1
Whiz Nut . . . . .	1
1-1/4" Roll Pin . . . . .	1



**INSTRUCTIONAL VIDEO AVAILABLE ONLINE AT:**  
[www.schaffert.com/products/rebounder/ih-seedboots.html](http://www.schaffert.com/products/rebounder/ih-seedboots.html)

# REBOUNDER® MOUNTING INSTRUCTIONS

## New Case IH 1200 Series Seed Boot

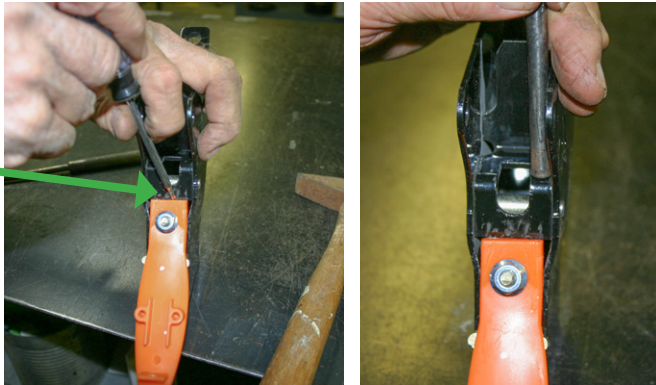
Before working on your planter or drill

**DANGER:** When storing or working on the planter or drill always install cylinder stops or place it on stands to prevent personal injury or damage to the attachments.

**PLEASE:** Read instructions completely and verify all package contents before beginning installation.

**7** Check the top of the Rebounder—it should seat tight against the bottom of the welded-in chair. Use a punch on the top side of the chair’s “seat”, on either side of the hole, to firm chair in tight against the Rebounder. This helps keep the Rebounder from twisting.

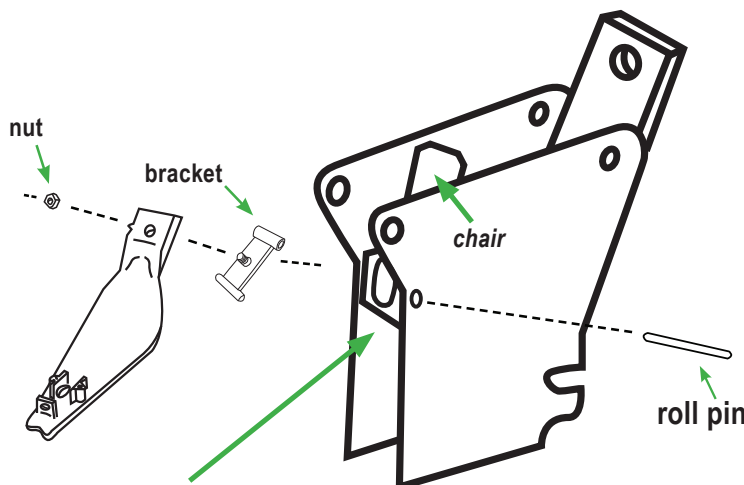
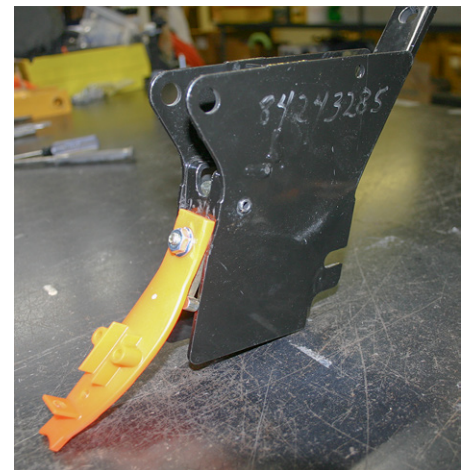
The top of the Rebounder needs to be flush against the bottom of the chair.



Rebounder Package Contents (per single row)	
Item	Quantity
Rebounder . . . . .	1
Instruction Sheet . . . . .	1
Mounting Bracket Package Contents (per single row)	
Item	Quantity
Bracket . . . . .	1
Whiz Nut . . . . .	1
1-1/4" Roll Pin . . . . .	1

**8** If applying liquid in-furrow with the Y-Not-Split-It® or Hose Holder™, refer to the video or kit instructions to install the kit onto the Rebounder.

**9** After installing optional fertilizer fittings, re-install the seed boot to your Case IH planter.



**SEED BOOT with Notch In Chair for Fertilizer Tube**

**INSTRUCTIONAL VIDEO AVAILABLE ONLINE AT:**  
[www.schaffert.com/products/rebounder/ih-seedboots.html](http://www.schaffert.com/products/rebounder/ih-seedboots.html)