

REBOUNDER™ MOUNTING INSTRUCTIONS

White 5000 / 6000 / 8000 Series Planters

(Read Instructions Completely before Beginning Installation)

Before working on your planter or drill

DANGER: When storing or working on the planter always install cylinder stops or place the planter on stands to prevent personal injury or damage to the Rebounder. **WARNING:** Do not roll back or back up the planter in or on the ground as this can result in damage to the Rebounder.

Mounting Instructions

Before you begin, verify all items listed in the "package contents" table at the right.

Rebounder Package Contents (per single row)	
Item	Quantity
Sawtooth Rebounder	1
Sawtooth Insert	1
Tie Strap	2
Instruction Sheet	1

Step #1: Remove the left disc (viewed from the rear of the planter - see [fig. (a)]). See back page for removing the seed tube clip on 1997 and newer White 6000 & 8000 Series planters.

Step #2: **NOTE:** If applying liquids in furrow with the Rebounder, attach either Y-Not Split It, Hose Holder, or Straight Shot kit by following kit instructions.
INSTALL KIT BRACKETS (T-NUT, L-BRACKET, WASHER, SCREW) BEFORE INSTALLING REBOUNDER TO SEED TUBE [fig. (b)] IF USING LIQUIDS IN-FURROW.

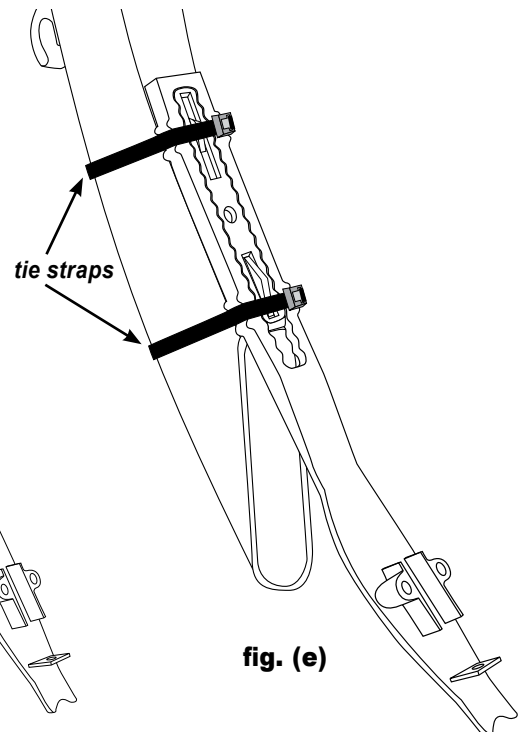
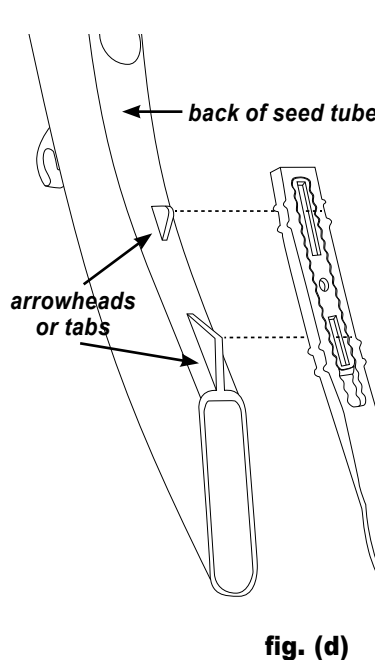
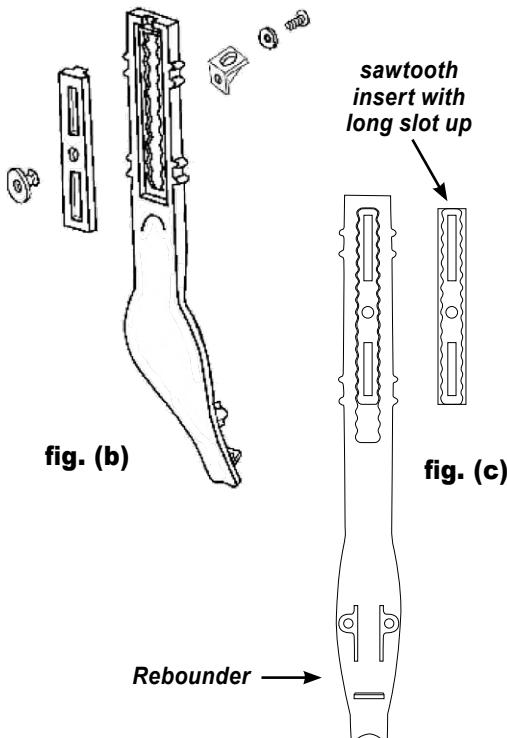
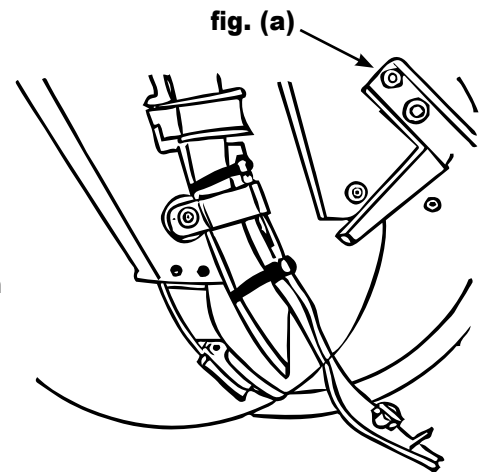
Step #3: With the left disc removed and seed clip out, you can now mount the Rebounder to the seed tube. Place sawtooth insert into the Rebounder (long slot up), and all the way to the top of the Rebounder [fig. (c)].

Step #4: **NOTE:** The White planter seed tube has riveted arrowheads or tabs sticking up on the back side of the seed tube. The bottom two arrowheads are used to position and stabilize the Rebounder. For Precision tubes refer to Precision mounting instructions.
Place the Rebounder over the two bottom arrowheads on the seed tube [fig. (d)].

Step #5: Using the 2 tie straps provided, strap the Rebounder to the seed tube. The tie straps will fit in the two sets of notches on the sides of the Rebounder. The long part of the tie strap should extend out the back of the seed tube and NOT to the side of the seed tube. Pull tie straps tight with pliers, and cut off excess length [fig. (e)].

Step #6: Install left disc back onto the planter. The Rebounder will naturally hang below disc blades 1"-2", and flex up when planting to follow the seed V made.

SPECIAL INSTRUCTIONS: On White 5000 series planters with an optional scraper on the inside of the discs, this scraper may need to be slightly ground down to accommodate the Rebounder. The Rebounder acts as a scraper on the inside of the discs so the scraper can be taken out.



REBOUNDER™ MOUNTING INSTRUCTIONS

White 6000 & 8000 Series Planters Seed Tube Clip - With or Without Seed Tube Clip on 1997 & Newer Planters

continued...



(Read Instructions Completely before Beginning Installation)

Before working on your planter or drill

DANGER: when storing or working on the planter always install cylinder stops or place the planter on stands to prevent personal injury or damage to the Rebounder. **WARNING:** do not roll back or back up the planter in or on the ground as this can result in damage to the Rebounder.

Planter Checklist

Before installing the Rebounder, check the wear on the discs, wear guard, seed tube, and check blade contact. If you see wear on the sides of the seed tube at the bottom end, this is a good indication of excessive wear on the discs and wear guards. (see **table below**). Use the checklist at the right to determine the wear on each of your components. **NOTE:** have your seed meter calibrated every year by your local dealer to eliminate double and triples in seed metering.

Planter Checklist							
Planter	Discs		Blade Contact	Wear Guard		Worn seed tube	Worn down tube guard
	New	Replace @		New	Replace @		
White 5000	13 1/2"	12 1/2"	1 1/2"	7/8"	5/8"		
White 6000	15"	14"	1 1/2"	7/8"	5/8"		
White 8000	15"	14"	1 1/2"	7/8"	5/8"		

Mounting Instructions

Before you begin, verify all items listed in the "package contents" table at the right.

WITHOUT THE SEED TUBE CLIP:

Step #1: **NOTE:** The seed tube clip is NOT necessary if you are using the Rebounder on **1997 and newer** White 6000 and 8000 series planters. The Rebounder holds the seed tube centered in the furrow between the discs and it steadies the seed tube, keeping it from vibrating. The Rebounder is easy to install if you are not using the seed tube clip.

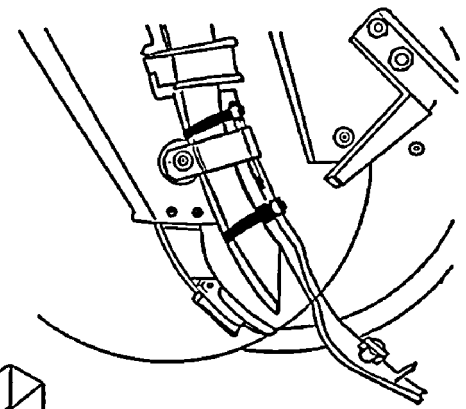
Step #2: in order to remove the seed tube clip, you must first remove the left disc (viewed from the rear of the planter). This will allow easy access to the seed tube clip. With the clip removed, the seed tube can be removed by taking the seed box off and not having to take a gauge wheel and disc off each time you want to install a Rebounder or check a seed sensor.

WITH THE SEED TUBE CLIP IN PLACE WITH THE REBOUNDER:

Step #1: you must remove the gauge wheel and disc each time you install Rebounders or check a seed sensor. There is adequate room under the clip to install the Rebounder. Place the Rebounder under the clip and over the bottom 2 arrow-heads of the seed tube.

Step #2: use the tie straps provided to hold the Rebounder to the seed tube.

Rebounder Package Contents (per single row)	
Item	Quantity
Rebounder	1
Saw Tooth	1
Screws	2
Tie Straps	2
Instruction Sheet	1



N855728 Seed Tube Clip Removed

THE REBOUNDER™ SEED COVER - BENEFITS AND FAQ'S

ABOUT THE REBOUNDER

For ten years now, the Rebounder has proven to be a sensible solution for farmers nation-wide, not only increasing yields but also overall profits. With the passing of each planting season, we sit down and discuss the new changes that would not only make our Rebounder Seed Cover a better product, but also our other Profitable Seed Solutions. We understand the needs of farmers and try to stay abreast of the latest changes affecting them. Our products endure rigorous field tests, making them a dependable solution for years to come. Visit our website to see what farmers are saying about our products: www.schaffert.com!

LIQUID FERTILIZER ATTACHMENTS

Each Rebounder has the option of allowing liquid fertilizer or chemical application. This can be accomplished directly in the furrow with the Hose Holder kit or off to each side with our Y-Not Split-It kit.

WHAT ARE THE BENEFITS?

- patented concave design guides seeds to the bottom of the seed furrow
- enters the seed trench right behind the discs
- is shaped like the seed V itself, allowing it to peel seeds off the sidewall & funnel them to the bottom of the furrow
- does not press the seed in the ground (depth of the seed is determined by the planter settings)
- very easy to install (simply pull the seed tube up and out, attach two tie straps, and re-insert the tube)
- can be used with optional fittings and liquid fertilizer attachments
- when with the Y-Not Split-It, up to 12 gallons of fertilizer or chemical can be applied per acre



F **DOES THE REBOUNDER PULL SOIL IN WITH THE SEED?**
NO! - the only time the Rebounder puts soil with the seed is in heavier wetter soils when the double discs that open the seed V orange peel the sidewall of the seed V. When this occurs this is where the Rebounder shines over other attachments because it is shaped like the seed V it will peel the lodged seeds off the orange peeled side wall funneling them to the bottom.

A **DOES THE REBOUNDER PULL LOOSE DRY SOIL OFF THE SOIL SURFACE AND PLACE WITH THE SEED?**
NO! - The Rebounder enters the seed V directly behind the double disc openers and ahead of the gauge wheels that run along side the seed V. This lets the Rebounder put all the seed in the bottom of the seed V before the gauge wheels cave any dry soil in over the seed. The Rebounder assures you better germination being in the bottom of the V with moisture on 3 sides of the seed and dry soil on top.

Q **DOES THE REBOUNDER LEAVE SEEDS STRANDED ON THE SIDE WALL OF THE SEED V OR PRESS THEM IN THE SIDE WALL WHEN THEY LODGE ALONG THE SIDE?**

NO! - The patented concave design and shape of the Rebounder eliminates seeds from being stranded on the side wall. The Rebounder puts the seeds in the center of the bottom of the furrow. Flat or rounded surfaces sometimes can leave seeds lodged in the sidewall. As one farmer put it “try taking two ball bearing or two marbles and try pressing them into the soil— you never know where they will end up.”

'S **WHY DOES THE REBOUNDER MOUNT TO THE SEED TUBE?**

The Rebounder has been mounted to the seed every since it was invented 10 years ago. The Rebounder puts very little pressure on the seed tube preventing damage to the seed tube. The Rebounders shape centers the seed tube in the seed trench behind the double disc openers, keeping the seed tube from rubbing and wearing on the discs. The Rebounder also steadies the seed tube keeping it from vibrating in its holder thus keeping seeds from bouncing in the seed tube.

WILL THE REBOUNDER DRAG SEEDS IN THE SEED FURROW?
NO! - As the double discs or True V openers of the planter make the seed V opening the Rebounders trailing end runs about 3/8” off the bottom of the seed V. The Rebounder was designed to be wider than the bottom of seed V thus letting it flex up off the bottom about 3/8”. The half moon notch in the end of the Rebounder centers the seeds in the bottom letting them pass through without being drug along.

DOES MUD BUILD UP ON THE REBOUNDER WHEN SOIL CONDITIONS ARE STICKY?
NO!- The Rebounder does not put pressure in the bottom of the seed V where mud build up can occur in heavier wetter soils. We tell farmers that if they feel comfortable planting and it is wet that they don't have to worry about the Rebounder building up with mud and dragging seeds. Part of the no mud build up is due to the flexibility built into the Rebounder above the spoon area. This will be discussed in the next question.

DOES THE REBOUNDER NEED TO BE ADJUSTED FOR PROPER TENSION IN THE SEED V?
NO! - The Rebounder was designed out of plastics that have an automatic flexibility built into them to compensate for the different soil types and conditions one might be running them in. This designed flexibility was built in above the spoon area and below the tie or bolted area of the Rebounder. This Rebounders simple design eliminates the need for built in tension adjustment that make it confusing in different soil types and soil conditions to adjust.

HOW DOES THE WHITE REBOUNDER COMPARE TO THE ORANGE SUPER TUFF REBOUNDER IN WEAR ABILITY?
A good rule of thumb is take the length of the bar of your planter or drill and add two zeros to it, that's normally the life of the White Rebounder. The Orange Super Tuff Rebounder is a totally different molding process where the molecules in the Rebounder stand up making the wearability superior to the White Rebounder where the molecules lay down. The Orange Rebounder will double to triple the life of the White Rebounder. Many farmers planting or drilling many acres with the Orange Rebounder these past 2 years make the comment that the Orange Rebounder will last the life of their disc blades.