

# STRAIGHT SHOT™ MOUNTING INSTRUCTIONS

## IH 1200 Planters

### OPTIONAL FITTINGS FOR REBOUNDERS TO PUT ON FERTILIZER INOCULANTS AND/OR INSECTICIDES IN FURROW

(Read Instructions Completely before Beginning Installation)

**Before working on your planter or drill**

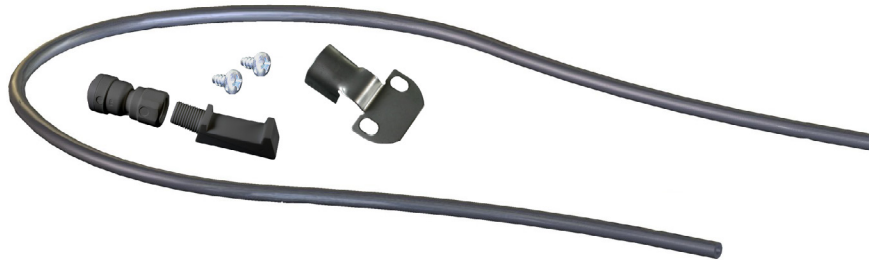
**DANGER:** When storing or working on the planter always install cylinder stops or place the planter on stands to prevent personal injury or damage to the Rebounder. **WARNING:** Do not roll back or back up the planter in or on the ground as this can result in damage to the Rebounder.

### Mounting Instructions

Before you begin, verify all items listed in the “package contents” table at the right.

Straight Shot Package Contents part # SSK12 (per single row)	
Item	Quantity
Straight Shot	1
Threaded Female QC	1
1/4" Hose	1
Metal Plate	1
12 x 3/8" Screws	2
Instruction Sheet	1

The Straight Shot works very well on planters or drills that have press wheels that run on or in the furrow. The Straight Shot will keep the fertilizer from caking up on the press wheel. Also works very well when liquid inoculants or insecticides need to be put directly on the seed.



**Step #1:** Drill a 5/32" hole on the top side of the Rebounder centered between the 2 screw holes where the metal plate goes. Then turn the Rebounder over with the drill bit in the hole angling down, groove the hole at a 35° angle to the Rebounder [fig. (a)]. This angle directs the flow to the seed.

**Step #2:** Thread the 1/4" tube x 1/8" female NPTF [fig. (b)] into the Straight Shot.

**Step #3:** Now you are ready to place the Straight Shot between the molded tabs. Place the plate over the Straight Shot and install the two 12 x 3/8" pan Phillips type screws [fig. (c)].

**Step #4:** Thread the hose up inside the IH seed boot between the Rebounder bracket and the covering disc bracket, and push hose into Quick Coupler on the Rebounder. To remove hose from Quick Coupler, press ring down around the hose against the Quick Coupler so hose will release.

**FOR SEED BOOTS PRIOR TO 2009:** You will need to grind down the edge of the Rebounder so the hose can be threaded up inside the IH seed boot between the Rebounder bracket and the covering disc bracket. [fig. (d)].

**Step #5:** Follow planter mounting instructions for mounting the Rebounder.

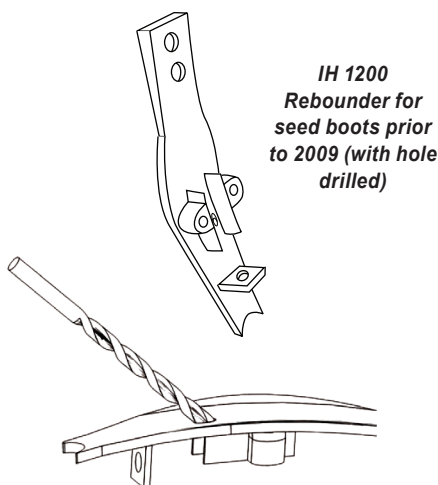


fig. (a)



fig. (b)



fig. (c)

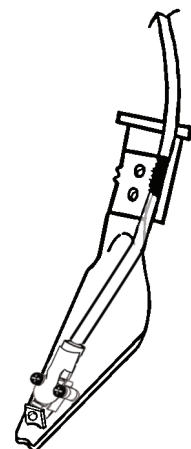


fig. (d)

## OPTIONAL FITTINGS FOR REBOUNDER™ SEED COVERS

### ABOUT OPTIONAL FITTINGS

Each Rebounder has the option of allowing liquid fertilizer or chemical to be applied in various locations to accommodate your specific needs. With our Y-Not Split-It™, you can place the fertilizer on both sides of the seed V, about halfway up the sidewall. This allows the fertilizer to soak into the sidewall rather than being put directly on the seed. Seed germination can be damaged when starter fertilizers or those with sulfur or high nitrogen content are placed directly on the seed (in drier or sandy soils). Soil types play a large role in what method of fertilizer application should be used (direct or split), so we would advise you to talk to your fertilizer dealer or crop consultant. Many farmers with higher rainfall and/or heavier textured soils sometimes put fertilizer such as 10-34-0 or 9-18-9 on with the Y-Not Split-It.

### BENEFITS OF OPTIONAL FITTINGS

Using the Y-Not Split-It with the Rebounder will give you a barrier of soil between the seed and the starter fertilizer. This little insurance could mean a lot to your peace of mind as well as higher yields. Many farmers and fertilizer/seed dealers are looking at this with great interest as a simple and beneficial way to give the crop an added boost in its earliest stage of development. Ear size and bushels are determined early on in the developmental cycle, so you can see how this could be beneficial to the long term outcome at harvest. Even soybean yields can be increased with in-furrow fertilizer application. As much as five bushels per acre have been reported from farmers using the Rebounder with the Y-Not Split-It. When using starter fertilizer on corn and beans this method also allows farmers to move away from other application methods, which can be expensive, high maintenance, and heavy on the planter. The Rebounder/Y-Not Split-It is a “no brainer”!

### REBOUNDER OPTIONAL FITTINGS - MODEL TYPE EXAMPLES

Below are some examples of in-furrow optional fittings for the Rebounder Seed Cover. Fig. (a) shows the IH Rebounder with the Hose Holder™ kit which applies liquid to the seed V. Fig. (b) utilizes the Straight Shot™ which distributes fertilizer directly on the seed and eliminates liquid build-up on in-furrow press wheels. Fig. (c) shows the Y-Not Split-It on the JD Rebounder. Fig. (d) shows the Hose Holder securing a single hose off the end through the molded-in tab. Liquid is distributed off the end on top of the seed and may have soil mixed in with it. Fig. (e & f) shows the holes in the Rebounder when the Granular is applied.

