

Y-NOT SPLIT-IT® MOUNTING INSTRUCTIONS

for Case IH Planters & Case IH Soybean Special Drills

Before working on your planter or drill

DANGER: When storing or working on the planter always install cylinder stops or place the planter on stands to prevent personal injury or damage to the attachments.

PLEASE: Read instructions completely and verify all package contents before beginning installation.

! ATTENTION !

**Use the Yellow "Y" if you are applying less than 6 GPA.
They are half the size of the clear "Y" in the package.**

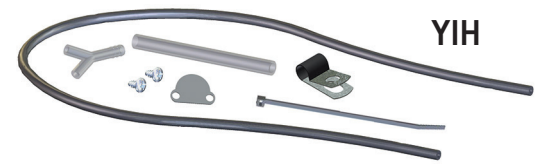
- #1: Using a hair dryer on low or medium setting, briefly heat the short piece of clear hose. Quickly push heated end of this hose all the way over the barbed end of the "Y".
- #2: Install the clear hose and "Y" between the raised area that holds the screws. The "Y" should bump up against the molded-in tab (**fig. (g)**).
- #3: Place the metal plate over the clear hose and install the 2# 12 x 3/8" Pan Phillips type screw into the holes of the Rebounder.
- #4: **If you are putting "Y's" on worn Rebounders:** after mounting the first Rebounder with Y-Not, check to make sure that the outlets on the Y-Not do not extend past the edge of the Rebounder. Trim with a side dike (**fig. (h)**). Clean out the holes with a pocket knife after clipping; this will keep the Y-Not from plugging.
- #5: If you prefer to have the fertilizer closer to the bottom of the seed furrow you can cut the molded-in tabs off (**fig. (i)**). Slide the Y-Not closer to the end of the Rebounder before tightening the screws on the metal plate. Then refer to step 4. Normally this is only done for inoculates. Refer to Hose Holder Instructions as it will do what cutting the tab off will do.

! SEE BACK SIDE !

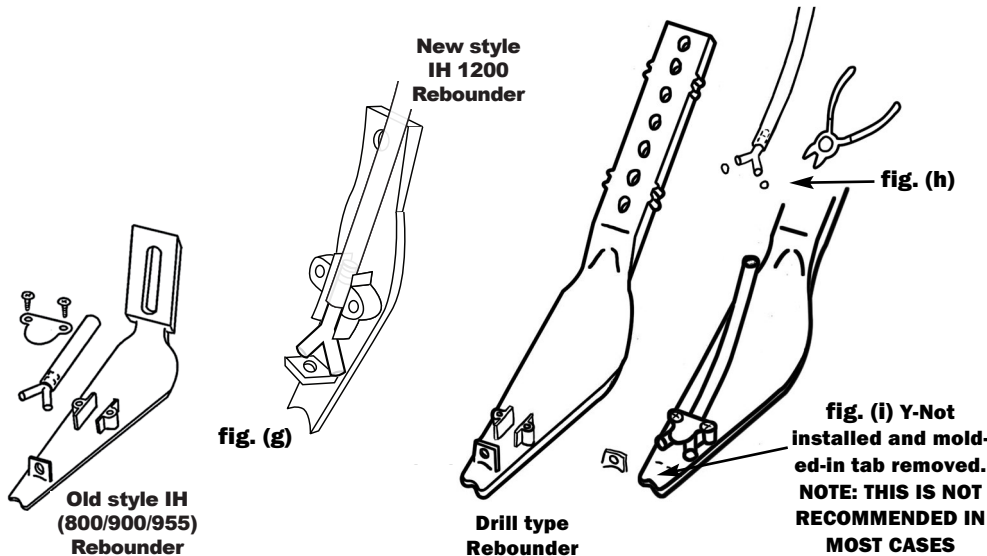
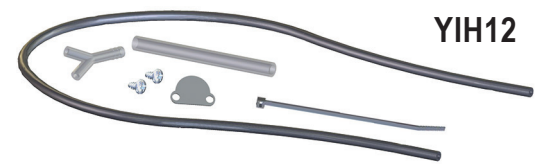
Important Points to Remember:

- Do not over-tighten or bottom out the screws into the Rebounders as this can damage the plastic.
- **IMPORTANT!! Do not strap any large tie around any part of the hose.** This 1/4" hose must be able to flex with the Rebounder independently. House holder kits are available for securing the hose.

Y-Not for CASE IH 800-955	
PART # YIH	Package Contents (per single row)
Item	Quantity
Clear "Y".....	1
Yellow "Y".....	1
1/4" Black Hose.....	1
3/8" Clear Hose.....	1
Size 5 Small Tie Strap.....	1
Metal Plate.....	1
12x3/8" Phillips Screws.....	2
1/4" x 1/4" Tube Clamp.....	1
Instruction Sheet.....	1



Y-Not for CASE IH 1200-2100 & Case IH 5400-5500 Soybean Special Drills	
PART # YIH12	Package Contents (per single row)
Item	Quantity
Clear "Y".....	1
Yellow "Y".....	1
1/4" Black Hose.....	1
3/8" Clear Hose.....	1
Size 5 Small Tie Strap.....	1
Metal Plate.....	1
12x3/8" Phillips Screws.....	2
Instruction Sheet.....	1

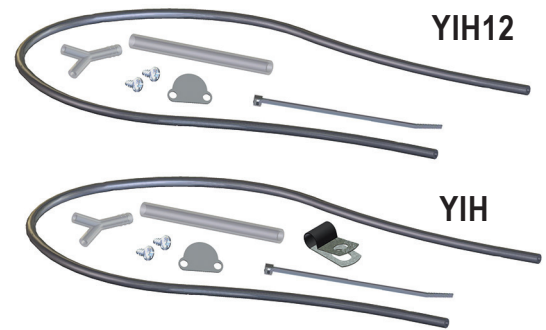


OVER →

Y-NOT SPLIT-IT® MOUNTING INSTRUCTIONS

for Case IH Planters & Case IH Soybean Special Drills

#1- #5: Follow instructions on other side to assemble the Y and attach it to the Rebounder.



See your planter or drill's *Rebounder Mounting Instructions* for attaching Rebounder to the Case IH seed boot.

CASE IH 1200 PLANTERS

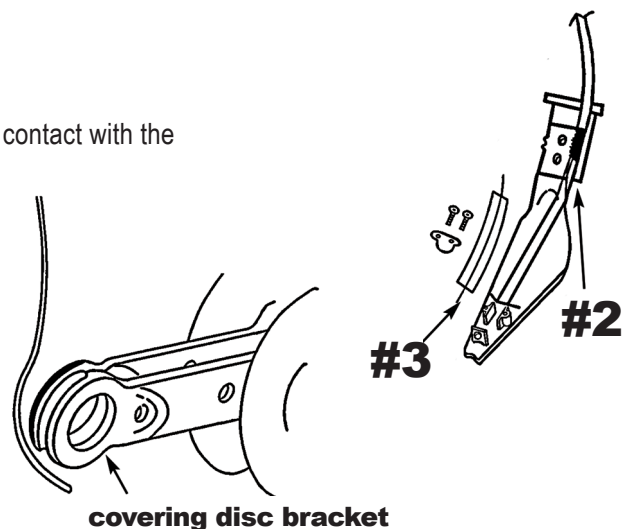
YIH12

#6: Thread the hose up inside the Case IH seed boot.

#7: You might have to shorten the clear hose so it doesn't come in contact with the covering disc bracket.

#8: Put a small tie strap around the clear hose to hold it in place.

#9: Clear hose should be cut off to within 1" of the covering disc, pivot so that the Rebounder can flex without jamming the clear hose into the pivot casting of the covering disc.



CASE IH 800 900 950 955 PLANTERS & 5400 SOYBEAN SPECIAL DRILL

YIH

#6: Remove covering disc bolt from seed boot and slide housing out of seed boot enough to use a grinder to bevel the covering disc bracket for the 1/4" fertilizer hose.

OR

Remove covering disc bracket and grind a shallow groove in the center of the bracket so the fertilizer hose can lay in the groove and not be crushed.

#7: Use the tie strap to hold the hose to the seed tube—leave it loose. This prevents touching the disc. Make sure the hose can flex with the Rebounder.

#8: Place the 1/4" x 1/4" tube clamp to the bolt that holds the Rebounder.

